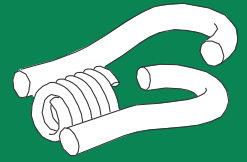




Rebar Hooks

Coil Hardware



RH-6 Rebar Hooks
RH-48
RH-8 RH-8D

MADE IN USA

Right Angle Connector: Threaded Rod to Rebar

Steel Dog® Rebar Hooks™ are a low-cost, fast means of connecting threaded rod at right angles anywhere along the length of rebar for variety of purposes. The unique arrangement of two opposing hooks makes it easy to make a field connection to rebar with limited clearance.

FEATURES:

- Unique “opposed hook” design provides secure attachment in limited space
- Hook held in position by the connecting threaded rod. NO SEPARATE NUTS OR OTHER FASTENERS REQUIRED.
- Different hooks for **four standard threaded rod types**
- Attach to up to #8 rebar (for larger sizes, see

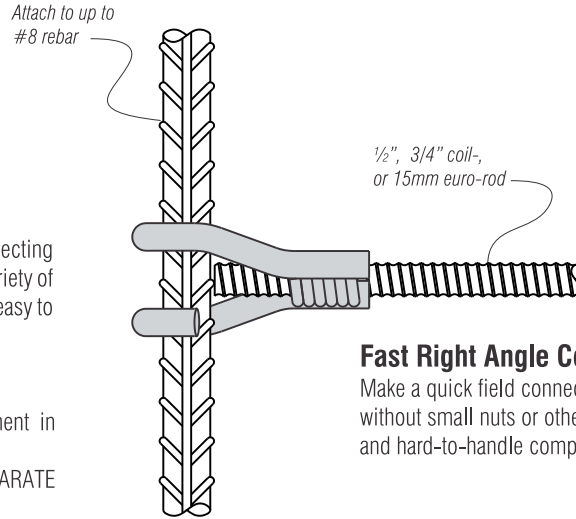
MATERIAL: Carbon steel. Some sizes available in stainless steel on special order.

FINISH: None. Electroplated zinc, galvanized, and epoxy finishes available: consult factory.

MAXIMUM SAFE WORKING LOAD: See chart

APPLICATIONS:

- Stay-Form blind side wall ties
- Tying low edge forms to rebar mats for slab pours
- Tying bottoms of forms into vertical mudslab rebar
- Self-supporting insert for shotcrete walls

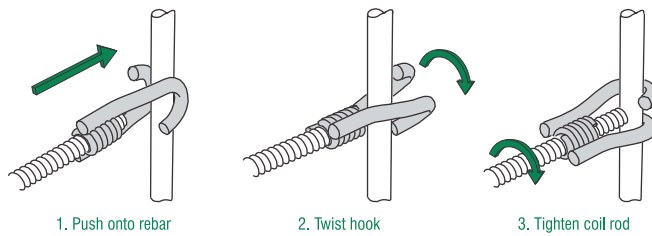


Fast Right Angle Connection

Make a quick field connection to rebar without small nuts or other easy-to-lose and hard-to-handle components.



Installation:



Standard Rebar Hooks

Product Code	RH-6	RH-6NC	RH-48	RH-48NC	RH-8	RH-8D
Safe Working Load (lbs)	1800		3000		3000	3000
Max. Size Rebar "D"	#6		#8		#8	#8
Threaded Rod Type	1/2" coil	1/2"-13NC	1/2" coil	1/2"-13NC	3/4"	15mm*
Projection length "L" (see dwg)	2-1/4"		3-1/4"		3-1/4"	3-1/4"
No. Of Coil Turns	6		8		8	8
Box Quantity	100		50		50	50
Box Weight	40		40		44	44

*such as Dywidag THREADBAR or Dayton D/R Thread Bar

Applications



Attachment of plywood-backed form liners for slip-formed highway barriers. Galvanized RH-6.



RH-48 Rebar Hooks and LCT-7 Turnbuckle ties used to tie Steel Ply edge forms to rebar mat on 20' x 30' x 3' slab pour.

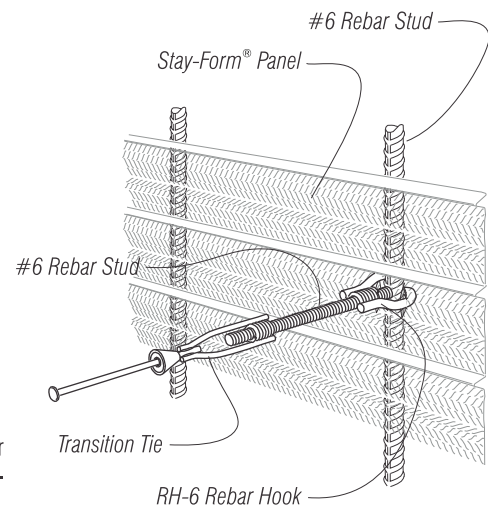
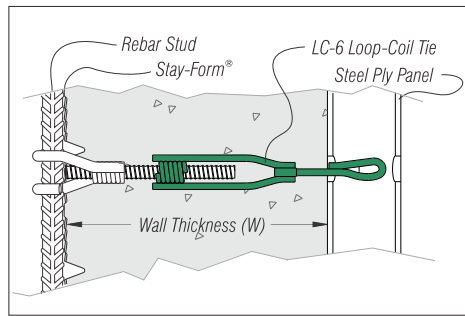
CAUTION

- DO NOT EXCEED THE SAFE WORKING LOAD (see chart on page one)
- REBAR HOOKS ARE INTENDED ONLY FOR MAKING TEMPORARY ATTACHMENTS TO REBAR FOR THE PLACEMENT OF CONCRETE. NOT FOR USE AS A PERMANENT LOAD CARRYING ELEMENT
- BE SURE THAT THE THREADED ROD EXTENDS AT LEAST 1/4" BEYOND COIL
- DO NOT BEND, TWIST OR HAMMER REBAR HOOKS
- DO NOT USE ANY PARTS THAT APPEAR TO BE DAMAGED, CRACKED, OR ABUSED
- NEVER USE FOR LIFTING PURPOSES

Stay-Form Blind Side Walls



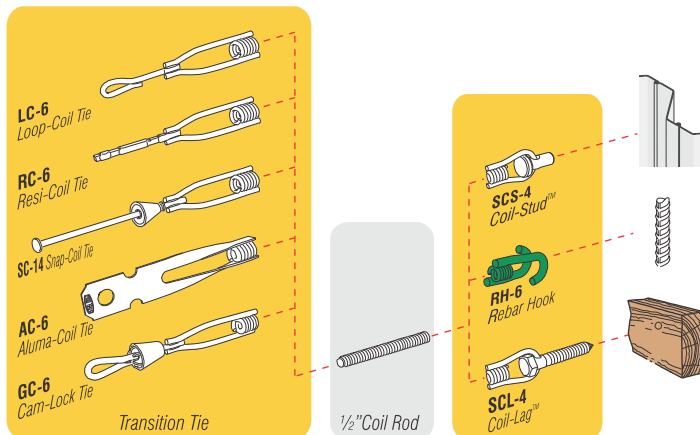
Stay-Form blind side wall tie using RH-6's and LC-6 Loop-Coil Ties.



A blind side wall is a freestanding concrete wall formed inches off from an existing wall—too close for removable form panels to be used on the “blind” side. A stay-in-place steel mesh—such as **Amico Stay-Form**—forms the blind side, and is attached to reusable formwork with RH-6's and Steel Dog Transition Ties.

Rebar Hooks: Part of an Interchangeable Form Tie System

The Steel Dog® **Rebar Hooks** are part of a versatile family of off-the-shelf, interchangeable forming components using industry-standard 1/2" coil rod as the threaded element. Choose the components for your form system and application and get an adjustable, labor-saving, no lead-time forming solution.



For Larger Rebar:

See also the Steel Dog **RHC Rebar Coil Clamp**, for attachment to up to #11 rebar, using a keeper plate and nuts.

