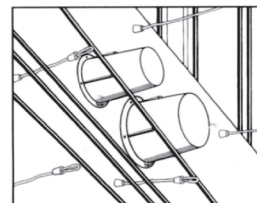
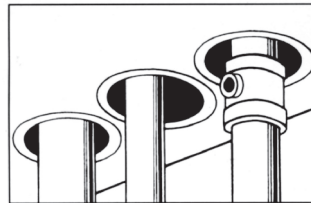
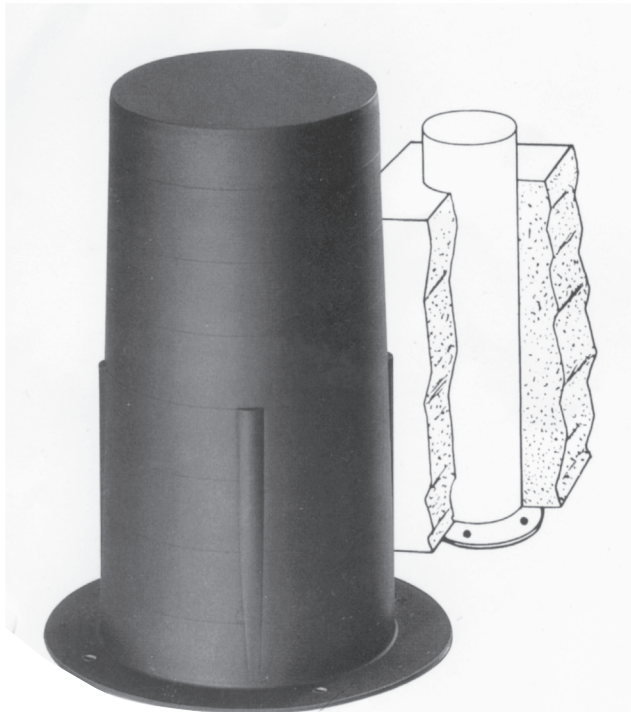


ECONO-SLEEVE

Econ-O -Sleeve Hole Forms Leave Uniform Holes for Electrical, Cables, Plumbing, Heating, Air Conditioning and Other Services.

Advantages

- Place holes **before** you pour. Save time and money. Drilling can cut rebar and reduce strength.
- Made with slight taper for easy removal
- Made of high density plastic-one piece construction
- Will not shatter in cold weather
- Easy to cut with a pocket knife
- Staple or nail through the flange in exact location you want
- Lightweight, easy to transport... and safe, no sharp edges or corners



Form holes, don't drill em!

Econ-O-Sleeve Hole Forms for both **floors** and **walls**.

Econ-O-Sleeve Hole Forms consistently form round, smooth, uniform holes and are available in a broad range of diameters. They may be cut, stacked, or telescoped for any slab thickness.

Econ-O-Sleeve forms come in a variety of diameters, and adjust for any slab thickness by stacking two or more together or simply use our new 1" incremental extenders.

CATALOG #	DIA	HEIGHT
EOS 1-5	1-1/2"	8-1/8"
EOS 1-5-XL	1-1/2"	9"
EOS 2	2"	8-1/8"
EOS 2-XL	2"	9"
EOS 3	3"	8-1/8"
EOS 3-XL	3"	9"
EOS 4	4"	8-1/8"
EOS 4-XL	4"	9"
EOS 5	5"	8-1/8"
EOS 5-XL	5"	9"
EOS 6	6"	8-1/8"
EOS 6-XL	6"	9"
EOS 8	8"	8-1/8"
EOS 8-XL	8"	9"
EOS EXT	1" EXTENSIONS FOR 3" OR 4" Econ-O-Sleeve (8-1/8" only)	

