



Bonding & Anchoring Agents

CIA-Gel 7000 and CIA-EA Anchoring Systems



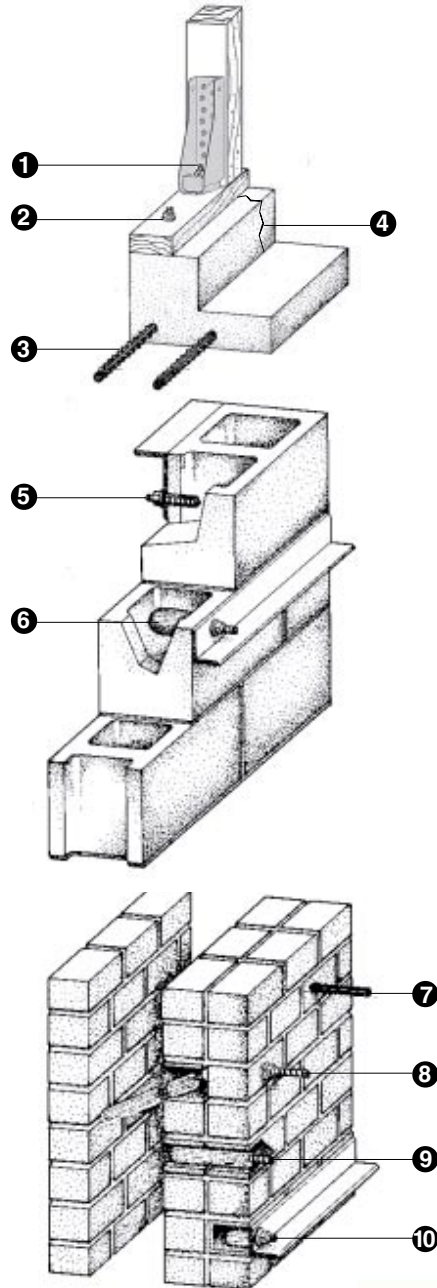
USP Structural Connectors began marketing adhesive anchoring systems after acquiring Covert Operations, Inc. in 2004. At that time, Covert Operations had over a decade of experience in supplying high profile and technically demanding projects. Project types using these products range from seismic retrofits of landmark buildings and bridges, to billion dollar transportation projects, to industrial applications including refineries and large water/wastewater treatment plants.

CIA-GEL 7000 and CIA-EA Anchoring Systems:

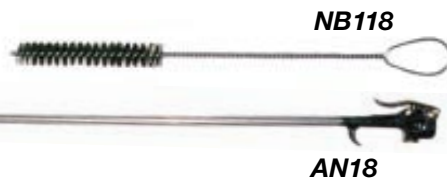
- Pre-packaged cartridges maintain proper ratio of chemical components.
- Dispensed through mixing nozzle to ensure complete mixing and placement at the bottom of the hole.
- Universal and coaxial cartridges allow installer to use a standard caulking gun for installations.
- Side by side cartridges use fast dispensing hand or pneumatic tools (for CIA-GEL 7000).
- Partially used cartridges can be used up to a year later.
- Products bond and cure underwater.
- Excellent performance at close edge distances (no expansion forces)
- Dynamic/seismic load tested



ICC ES code report: ICC-ES ESR-1702



- 1 Threaded rod anchorage into foundation for HD hold down and other types of uplift resisting connectors.
- 2 Sill plate anchorage.
- 3 Doweling Rebar into concrete.
- 4 Sealing cracks in concrete and masonry.
- 5 Attaching threaded rod or rebar into grout filled (solid) concrete block.
- 6 Attaching threaded rod or rebar into hollow concrete block (with the use of a wire mesh screen tube).
- 7 Rebar doweling into solid or hollow masonry (hollow applications require screen tube).
- 8 22.5 degree combination anchors . ICE ES and City of Los Angeles Listed to be used for retrofit of unreinforced masonry buildings in accordance with the UCBC and City of Los Angeles Division 88.
- 9 Anchoring threaded rod into solid or hollow masonry (hollow applications require screen tube).
- 10 Attaching ledgers or tension connectors to masonry.



Hole Cleaning Accessories

Catalog Number	Reference Number	Description	Qty/Package
NB129	401	1/2 inch Nylon Brush	1
NB3412	402	3/4 inch Nylon Brush	1
NB118	403	1 inch Nylon Brush	1
AN18	404	Air Nozzle w/ 18 inch extension	1