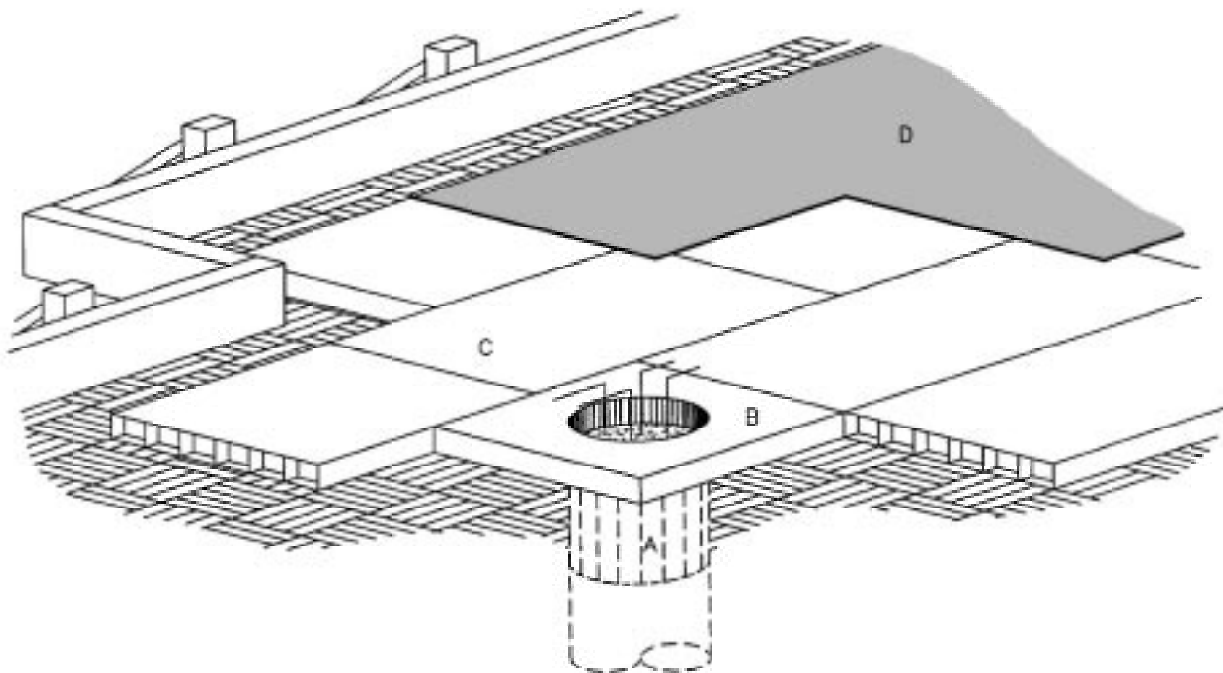


Voids



The SlabVoid® System

SlabVoid® is a corrugated paper product that creates a temporary support for the placement of a structural concrete slab. It helps eliminate severe damage by creating a space between the slab and underlying expansive soils.



SlabVoid® System Components:

- A. SureTop™ – Cylindrical, corrugated paper or plastic form that properly forms and contains the upper portion of concrete piers.
- B. SureRound PierVoid® – Pre-manufactured, non-field cut, sealed unit with curved, radial, vertical edge adjacent to drilled pier, conforming to pier diameter.
- C. SlabVoid® – A uniform cellular interior configuration, capable of sustaining all vertical loads until they become self-supporting, while maintaining full void depth as indicated on drawings.
- D. SureCover Board™ – Fully wax impregnated corrugated paper, or 1/8" to 1/4" hardboard to protect forms from damage during concrete placement.

SlabVoid® contains various corrugated papers of different strengths and flutes, bonded together with white, water-based adhesive or held in place with staples. Its structural strength is designed to weaken by the gradual absorption of moisture as the concrete sets. Thus, an adequate void is attained which will allow the ground to heave without causing structural damage to the concrete slab. The SlabVoid® interior is composed of a cellular network and is surrounded by a wax-coated cover.