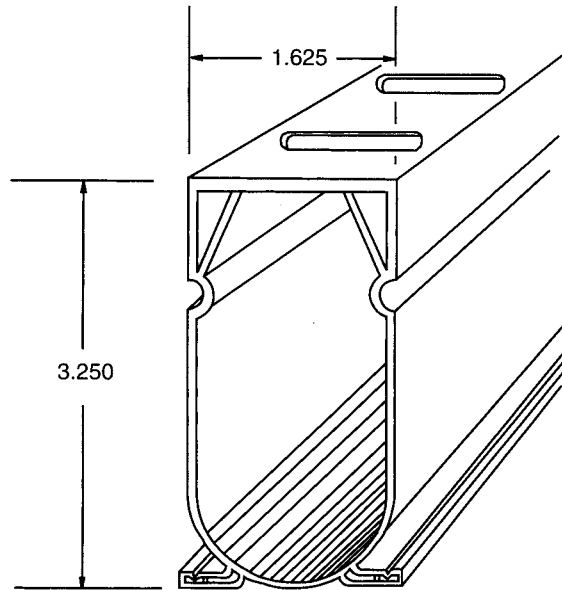
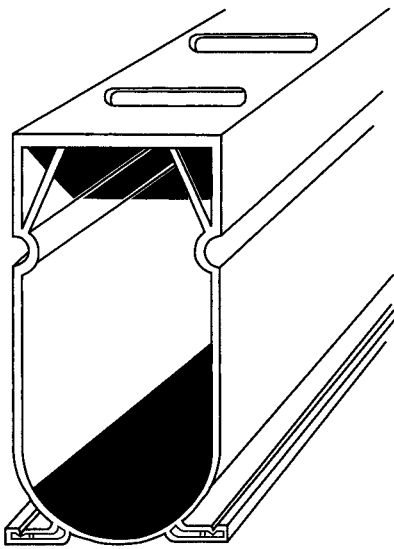


Drainage



DECK DRAIN



A competitive product at a competitive price. No nailing clips or plastic pipe to connect fittings. Drain will set straight and true with full .100" thickness top section and heavy wall structure.

The inside dimension, 1-1/2" x 3" and longer slots in the top allow ample drainage.

Fittings consist of 45 and 90 degree angles, tees, crosses, end adapters, end plugs, down adapters, side adapters and clean-outs.

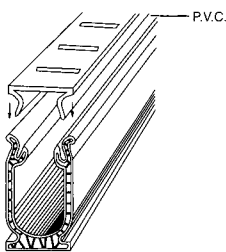
Set with string line and nail into 3" stakes through the continuous feet on bottom of drain.

Packaged 80' per case, 10' lengths with protective tape on top, 8 couplers and 4 end adapters.

Colors: White, Tan, Grey and Black.

- Part # D2B - Black
- D2G - Grey
- D2T - Tan
- D2W - White

FRONTIER DECK DRAIN



Double wall bonded P.V.C. drain system which remains straighter while concrete is being poured. The .100 thousandths thick top cap is half-lapped and runs continuously across fittings and short sections of base to keep straight lines.

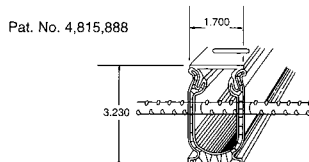
The snug-fit top cap can easily be removed at cleaning time or be replaced when damaged due to ultraviolet sun rays.

The inside dimensions, 1-1/2" x 3", and the longer slots in the top section, allow for ample drainage.

Set with string line and nail into 3" stakes through the continuous feet of bottom section. Packaged 80' per case, 10' lengths with protective tape on top cap, 8 couplers and 4 end adapters.

Colors: White, Tan, Grey, and Black.

Concrete deck movement has conclusively proved that no surface deck drain serves well as an expansion joint. Stegmeier Corporation requires that a 3/8" x 24" rebar be placed every 36", as shown, midway in drain to prevent damage.



Pat. No. 4,815,888

	WHITE	TAN	GREY	BLACK
FRONTIER DECK DRAIN	SDDW	SDDT	SDDG	SDDB
TOP CAP ONLY	SDD-TCW-80	SDD-TCT-80	SDD-TCG-80	SDD-TCB-80
BASE ONLY	PART# BASE			