

WACKER

Power Equipment

Walk-Behind Trowels

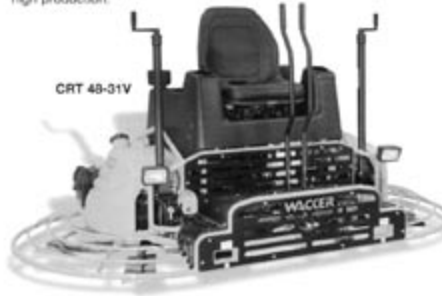
- 36-Inch Models:**
 CT 36ADP, CT 36ADP-E
 CT 36AGP, CT 36AGP-E
 CT 36AGT, CT 36AGT-E
 CT 36AVP, CT 36AVT
- 48-Inch Models:**
 CT 48ADP, CT 48ADP-E
 CT 48AGP, CT 48AGP-E
 CT 48AGT, CT 48AGT-E
 CT 48AVP, CT 48AVT



CT 48AVT

Ride-on Trowels

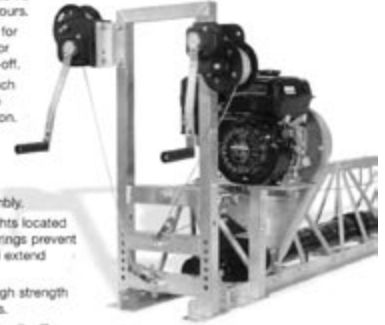
- Some models offer overlapping and non-overlapping operation on the same machine.
- Variable clutch provides proper torque and speed range to match concrete conditions.
- Correct power-to-weight ratio for better floating and high production.
- Ergonomically designed twin lever control.
- Gearbox drive system transfers maximum torque to rotors.
- Front and rear lighting system.
- Heavy-duty gearboxes offer dual shaft oil seals.



CRT 48-31V

Vibratory Truss Screenshot

- Bolted construction allows fast assembly without special tools.
- Wide span up to 75 feet for large pours.
- T-bolt adjuster for flat, crowned, or inverted strike-off.
- Ergonomic winch system for one person operation.
- Connector plate provides rigidity for even vibration and fast assembly.
- Eccentric weights located near shaft bearings prevent shaft whip and extend bearing life.
- Lightweight, high strength aluminum truss.
- Self-contained unit will run on any form, such as pipe, wood, block or metal.
- Accessories include recessing attachment, wall slider and outrigger.



Flex Shaft Vibrators

- Lightweight and rugged.
- Double insulated and grounded motor.
- Dual air filters.
- High frequency and amplitude of the vibrator head on the Head, Motor, Shaft (HMS) System.
- Motor airflow from rear to front prevents dust buildup.
- Standard quick disconnect coupling on motor facilitates shaft exchange.
- Quick release brush covers.
- Dust and waterproof on-off switch.
- Strain relieved electrical cord.
- Integrated quick disconnect couplings on shafts easily connect to all Wacker motors, offering 62 combinations.
- Oil resistant reinforced rubber shafts with steel reinforced coils on the quick disconnect end.
- Four head bearings lubricated with high temperature resistant synthetic oil.
- Hardened head housing and tip.
- Circuit breaking carbon brushes stop motor when replacement is required.
- Standard 60 Hz electrical power.



M 3000

Solid State Vibrators

- Lightweight, compact unit plugs directly into standard 115V outlet.
- Soft start eliminates amperage surge at start-up.
- Built-in motor protection for short circuits, ground fault, high temperature, voltage variations, and phase failures.
- Class H windings plus thermal protection switches.
- Induction hardened vibrator housing inside and outside for extended operating life.
- Three phase induction motor.
- Oil lubricated high performance roller bearings.
- Fast vibrator head replacement eliminates need for special tools.
- Sealed switch housing.



IRFUN 57

Breakers

- Lightweight electric breaker.
- Special vibration dampened protective hood and low recoil air cushioned percussion system.
- Direct impact on the tool creates high breaking performance without power robbing intermediate piston.
- Extra handle.
- Circuit breaker carbon brushes shut off current to motor when worn. Easy access to brushes.
- Quick change tool holder accepts the standard industry tool size of 1-1/8" hex x 6" shank. A selection of tools are available for all your applications.
- Powerful 115 volt 15 amp universal electric motor is double insulated.
- Standard 115 volt plug.
- Armature uses steel cable to give high resistance to impact and vibration for longer life.



EH 27

Portable Cut-off Saws

- "Long Life Lubrication" L3 piston with a special graphite surface coating to eliminate piston and cylinder overheating.
- Air cleaning system allows dust to be shaken off the preliminary filter through the machine's own vibration. Plus 54 percent larger filtering surface increases life.
- Increased cooling air supply.
- Starter rope has been treated with silicone, providing added protection against rope damages.
- The blade guard can be adjusted effortlessly and infinitely by hand.
- Highest power-to-weight ratio of their class.



BTS 1035L3

Submersible Pumps

- Single-phase submersible pumps.
- Lightweight, compact design.
- Built-in thermal protection.
- Heavy-duty power cord with strain relief.
- Insulation on all power cable conductors are protected by a water block system.
- Silicon carbide faced double mechanical seals run in an isolated oil-filled cavity.
- Preliminary v-ring or lip seal (depending on model) shields the mechanical seal.
- Semi-vortex impeller (except for PS2 750).
- Semi-open ductile iron impeller with replaceable/adjustable, stainless steel wearplate (PS2 750 only).



PS2 400

PS2 500

PSA2 500

Dewatering Pumps

- Compact size.
- Cast iron internal wear parts, including the impeller and volute.
- Pump out vanes on back of impeller reduce debris accumulation.
- Carbon ceramic mechanical seal.
- Impeller is easily adjusted for wear by adding shims.
- High strength lightweight diecast aluminum housing.
- Large diameter fill and drain plugs.
- Heavy-duty protective frame.
- Reliable engines equipped with low oil shutdowns.



PG 3A

PG 2A

Power Tools

HITACHI®

G12SR2 4-1/2" Disc Grinder



- 5 Amp motor, forcible output power (1,010W) for the toughest grinding jobs
- Spindle lock, provides easy and quick disc changes
- Tool rest, conveniently located to protect the user and prolong tool life
- Slide switch, easy to use with a quick-off feature to shut off the tool immediately for added safety
- Removable side handle, improves control and comfort
- Carbon brush access, allows user to replace brush as needed to greatly prolong the life of the tool
- 3.1lbs, lightweight design facilitates maneuverability and is excellent for overhead applications

Includes: Wrench, Side Handle, Depressed Center Wheel, Plastic Carrying Case

G23MR 9" Grinder Featuring IDI Technology



- 15 Amp motor, forcible output power (3,500W) for the toughest grinding jobs
- Class leading overload durability
- Tool-less wheel guard can be adjusted to desired angle
- Sealed armature coil, reduces wear caused by dust and debris for longer tool life
- Dust-proof labyrinth construction prolongs armature, switch and bearing life
- Ball bearings seated in iron retainer for greater durability
- Three position adjustable side handle, reduces vibration
- Carbon brush access, allows user to replace brush as needed to greatly prolong the life of the tool
- 11.9lbs, lightweight design facilitates maneuverability

Includes: Side Handle, Wrench

EC119 Portable 2.5 hp Peak Electric Air Compressor, Oil Lubricated



- 4-gallon twin tanks capable of running multiple nailers
- 4.4cfm at 90psi for multiple operations
- Protective roll cage design safely encases exposed gauges if compressor tips over on-site
- Heavy-duty induction motor provides significant airflow and dependable service
- Ball valve tank drains for easy maintenance
- Oil lubricated pump improves efficiency and ensures smooth use

Includes: Synthetic Oil SAE5W50 8oz, Oil Dipstick

EC12 Portable Electric 2hp Air Compressor, Oil Lubricated



- 4.0cfm at 90psi for multiple operations
- Direct drive electric motor provides durability and long life
- Line regulator with gauge for immediate use at worksite
- O-ring on drain-cock makes valve easy to open and close
- Vertically stacked twin tanks, 2 gallon capacity each for running multiple nailers
- All metal inner construction and fan to withstand rugged use
- Oil lubricated pump improves efficiency and ensures smooth use

Includes: Synthetic Oil SaE5W50 8oz, Oil Dipstick

EC25E 10E 5.5hp Gas Engine Powered Air Compressor



- 8-gallon twin tank receivers capable of running multiple nailers
- 5.5hp, industrial OHV Honda engine for dependability and power
- Pneumatic idle control and throttle for added safety
- Cast iron pump with oil splash lubrication and ball bearing mounted crank shaft for durability
- 10" fly cooling wheel, coupled with a shroud to direct air over compressor coils, allows continuous use without the threat overheating
- Twin drain cocks provide easy maintenance
- Large canister intake filter with replaceable element protects compressor in harsh worksite environments
- Belt drive lowers pump rpm for longer life

Includes: Synthetic Oil SAE5W50 8oz, Oil Dipstick

NR83A2 Framing Nailer, Full Head, Plastic Strip Collation



- 7.9lbs, lightweight and well balanced for easy maneuverability
- Tool-less depth adjustment, to control depth of drive
- 2-piece steel magazine, for replacement ease
- Open nose design, for easy extraction of a jammed nail
- Rubber grip, for added comfort
- Hardened aggressive toenail push lever, resists wear for prolonged life
- Selective actuation (ANSI Compliant), allows transition from single actuation to contact actuation
- Available without depth adjustment (NR83A2(S))

Includes: Safety Glasses, Hex Bar Wrenches (3)

CR13V 10 Amp Reciprocating Saw



- 10 Amp motor, intense power with electronic feedback power control for tough cutting jobs
- Stroke length of 1-5/32 inches for efficient cutting performance
- Blade changing system, quick and easy requiring no tools and only one hand
- Reversible blade, mountable up or down, for varied cutting methods
- D-shaped handle, maximizes user comfort and control
- Trigger, oversized to improve manageability
- 7.3 lbs, lightweight design facilitates maneuverability and ease of use
- Adjustable pivot foot, allows blade to pivot down to access hard to reach areas
- Dust and water resistant, triple sealed construction protects and increases tool life and performance

Includes: Heavy-Duty Carrying Case, All Purpose Blade, Hex Bar Wrench

CC12V 12" Portable Cut-Off Saw, AC/DC



- 15 Amp motor, forcible power for tough cutting jobs
- 4" max cutting depth, for efficient cutting performance
- Replaceable cutting wheel, without removal of base for quick changes
- Wide base, provides extra cutting stability
- AC/DC, adds flexibility in various locations
- Ball and needle bearing construction, for added durability
- Auto stop carbon brushes, protect armature and extend tool life

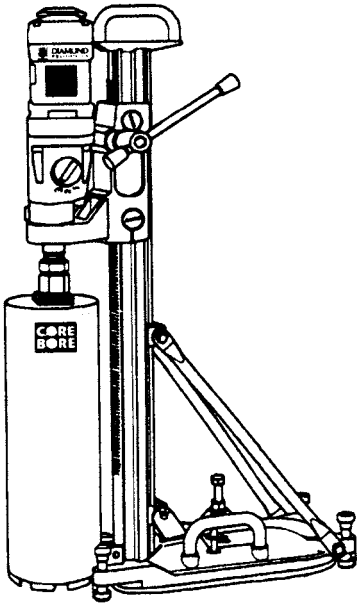
Includes: Metal Cutting Wheel (12" Thickness 7/64"), Wrench, Masonry Cutting Wheel (12" Thickness 7/64"), Hex Bar Wrench



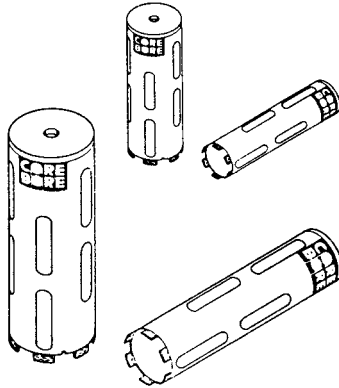
Diamond Blades & Bits, Cut-Off Saws



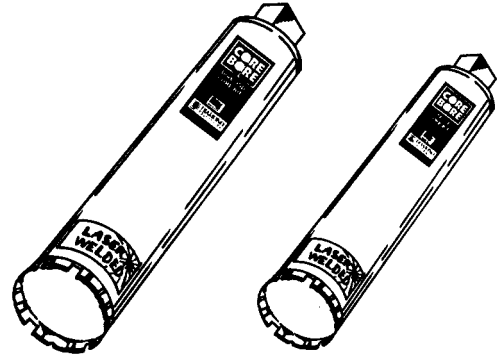
DRILLING MACHINES



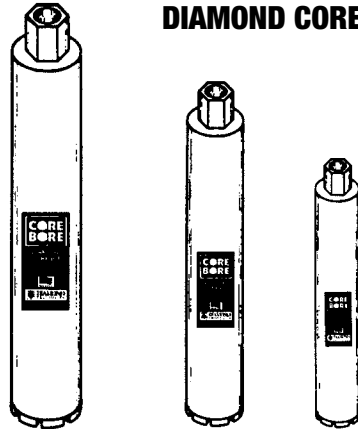
DRY DIAMOND HOLE SAWS



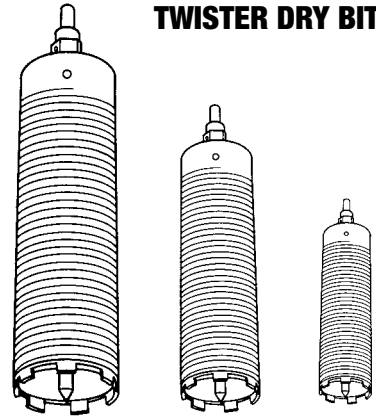
TURBO LASER DIAMOND BIT



DIAMOND CORE BITS

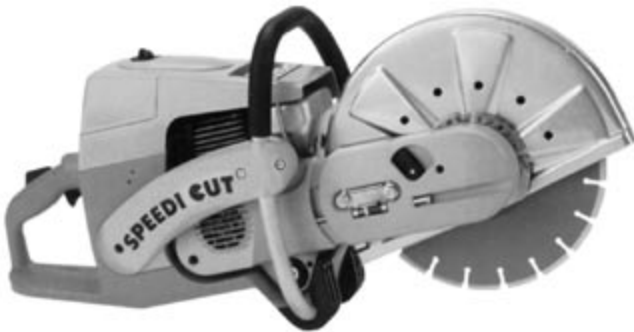


TWISTER DRY BITS



SpeediCut Cut-Off Saws

Aircraft alloy and high strength composite components make the SpeediCut the lightest cut-off saw in its class



Cutting arm can be easily and quickly reversed for edge sawing close to walls, pavement and obstructions

SpeediCut Specifications

Diamond Products Model No.	SC7312	SC7314
Diamond Products Part No.	5800468	5800469
Engine Displacement	4.5	4.5
Max. Horsepower	6	6
Max. torque	6.75 ft./lbs.	6.75 ft./lbs.
Carburetor	Compensating fixed jet	Compensating fixed jet
Ignition System	Electronic speed controlled	Electronic speed controlled
Starter System	Recoil Starter	Recoil Starter
Clutch	Auto Centrifugal	Auto Centrifugal
Fuel Mixture (fuel/two-stroke oil)	50:1	50:1
Fuel Tank Capacity	43 oz.	43 oz.
Fuel consumption at max. load	.55 g/h	.55 g/h
Blade Capacity	12"	14"
Arbor diameter	20mm	20mm
Maximum Cutting Depth	3-13/16"	4-13/16"
Max. Blade Shaft RPM*	4300	4300
Weight (tanks empty w/o blade)	21 lbs.	21 lbs.

* WARNING: Operating the blade faster than the manufacturer's maximum safe speed can damage the blade and possibly cause injury.