

# WACKER

## Power Equipment

### Walk-Behind Trowels

**36-Inch Models:**  
 CT 36ADP, CT 36ADP-E  
 CT 36AGP, CT 36AGP-E  
 CT 36AGT, CT 36AGT-E  
 CT 36AVP, CT 36AVT

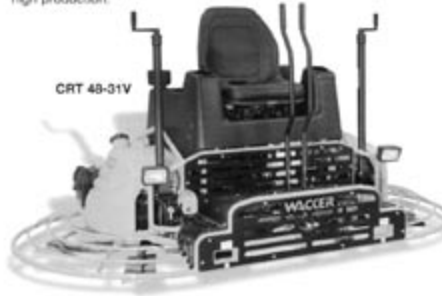
**48-Inch Models:**  
 CT 48ADP, CT 48ADP-E  
 CT 48AGP, CT 48AGP-E  
 CT 48AGT, CT 48AGT-E  
 CT 48AVP, CT 48AVT



CT 48AVT

### Ride-on Trowels

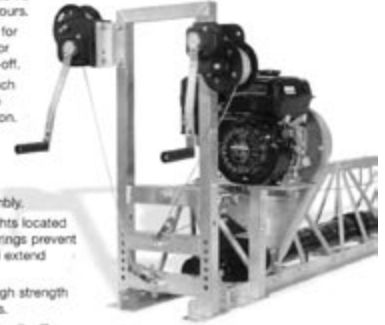
- Some models offer overlapping and non-overlapping operation on the same machine.
- Variable clutch provides proper torque and speed range to match concrete conditions.
- Correct power-to-weight ratio for better floating and high production.
- Ergonomically designed twin lever control.
- Gearbox drive system transfers maximum torque to rotors.
- Front and rear lighting system.
- Heavy-duty gearboxes offer dual shaft oil seals.



CRT 48-31V

### Vibratory Truss Screed

- Bolted construction allows fast assembly without special tools.
- Wide span up to 75 feet for large pours.
- T-bolt adjuster for flat, crowned, or inverted strike-off.
- Ergonomic winch system for one person operation.
- Connector plate provides rigidity for even vibration and fast assembly.
- Eccentric weights located near shaft bearings prevent shaft whip and extend bearing life.
- Lightweight, high strength aluminum truss.
- Self-contained unit will run on any form, such as pipe, wood, block or metal.
- Accessories include recessing attachment, wall slider and outrigger.



### Flex Shaft Vibrators

- Lightweight and rugged.
- Double insulated and grounded motor.
- Dual air filters.
- High frequency and amplitude of the vibrator head on the Head, Motor, Shaft (HMS) System.
- Motor airflow from rear to front prevents dust buildup.
- Standard quick disconnect coupling on motor facilitates shaft exchange.
- Quick release brush covers.
- Dust and waterproof on-off switch.
- Strain relieved electrical cord.
- Integrated quick disconnect couplings on shafts easily connect to all Wacker motors, offering 62 combinations.
- Oil resistant reinforced rubber shafts with steel reinforced coils on the quick disconnect end.
- Four head bearings lubricated with high temperature resistant synthetic oil.
- Hardened head housing and tip.
- Circuit breaking carbon brushes stop motor when replacement is required.
- Standard 60 Hz electrical power.



M 3000

### Solid State Vibrators

- Lightweight, compact unit plugs directly into standard 115V outlet.
- Soft start eliminates amperage surge at start-up.
- Built-in motor protection for short circuits, ground fault, high temperature, voltage variations, and phase failures.
- Class H windings plus thermal protection switches.
- Induction hardened vibrator housing inside and outside for extended operating life.
- Three phase induction motor.
- Oil lubricated high performance roller bearings.
- Fast vibrator head replacement eliminates need for special tools.
- Sealed switch housing.



IRFUN 57

### Breakers

- Lightweight electric breaker.
- Special vibration dampened protective hood and low recoil air cushioned percussion system.
- Direct impact on the tool creates high breaking performance without power robbing intermediate piston.
- Extra handle.
- Circuit breaker carbon brushes shut off current to motor when worn. Easy access to brushes.
- Quick change tool holder accepts the standard industry tool size of 1-1/8" hex x 6" shank. A selection of tools are available for all your applications.
- Powerful 115 volt 15 amp universal electric motor is double insulated.
- Standard 115 volt plug.
- Armature uses steel cable to give high resistance to impact and vibration for longer life.



EH 27

### Portable Cut-off Saws

- "Long Life Lubrication" L3 piston with a special graphite surface coating to eliminate piston and cylinder overheating.
- Air cleaning system allows dust to be shaken off the preliminary filter through the machine's own vibration. Plus 54 percent larger filtering surface increases life.
- Increased cooling air supply.
- Starter rope has been treated with silicone, providing added protection against rope damages.
- The blade guard can be adjusted effortlessly and infinitely by hand.
- Highest power-to-weight ratio of their class.



BTS 1035L3

### Submersible Pumps

- Single-phase submersible pumps.
- Lightweight, compact design.
- Built-in thermal protection.
- Heavy-duty power cord with strain relief.
- Insulation on all power cable conductors are protected by a water block system.
- Silicon carbide faced double mechanical seals run in an isolated oil-filled cavity.
- Preliminary v-ring or lip seal (depending on model) shields the mechanical seal.
- Semi-vortex impeller (except for PS2 75Q).
- Semi-open ductile iron impeller with replaceable/adjustable, stainless steel wearplate (PS2 750 only).



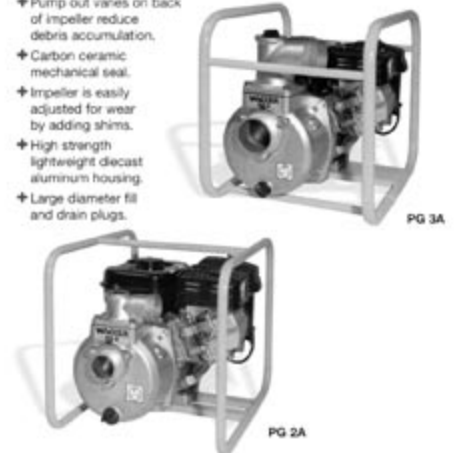
PS2 400

PS2 500

PSA2 500

### Dewatering Pumps

- Compact size.
- Cast iron internal wear parts, including the impeller and volute.
- Pump out vanes on back of impeller reduce debris accumulation.
- Carbon ceramic mechanical seal.
- Impeller is easily adjusted for wear by adding shims.
- High strength lightweight diecast aluminum housing.
- Large diameter fill and drain plugs.
- Heavy-duty protective frame.
- Reliable engines equipped with low oil shutdowns.



PG 3A

PG 2A

### Small Submersible Pumps

APPLICATIONS: For commercial, industrial, and home use worldwide where liquid must be transferred or recirculated. Applications include aquariums, swimming pools, water displays, ice makers, air conditioners, boat bailing, circulating water for welding and pipe threading machines, pumping mild chemicals such as soap solutions, acids, plating solutions, and fertilizers.

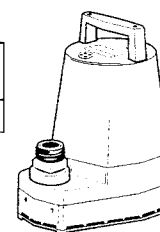


### Submersible Sump/Effluent Pumps

**5.5 Series:** Snappy John® 1/4 hp Submersible Sump/Effluent Pump designed to handle 3/8" solids. Zinc housing, glass-filled polypropylene base and cover, non-clog nylon impeller, thermal overload protection, 1-1/4" FNPT discharge with garden hose adapter, snap-action float switch. "On" level at 7" to 10" and "off" level at 2" to 5".

Item No	Model No	UPC	Volts	Hz	HP	Weight (lbs)	Cord Length	GPM @ 5'	Cert	Pallet Qty	Master Qty
505700	5.5-ASP	0 10121 05700 5	115	60	1/4	10.25	10'	35	UL/CSA	96	4
505701	5.5-ASP	0 10121 05701 2	115	60	1/4	11.00	25'	35	UL/CSA	96	4

Item No	Model No	UPC	Volts	Hz	HP	Weight (lbs)	Cord Length	GPH @ 1'	Cert	Pallet Qty	Master Qty
505000	5-MSP	0 10121 05000 6	115	60	1/6	8.50	10'	1200	UL	96	4



5-MSP



### Submersible Pumps

#### Model: ST2005CUL2

This submersible pump has all the features you've come to expect from Multiquip. A compact, streamlined design allows the pump to fit in narrow, confined areas. Every pump comes with thermal-overload protection to guard against motor overheating. Heavy-duty parts deliver top performance and long life. An oil-filled mechanical seal provides positive lubrication even when it has run dry. The pump is listed with Underwriter's Laboratories in accordance with U.S. and Canadian standards.



#### Standard Submersible Pumps

Ideal for removing water from confined areas. Their compact design and high performance enables them to get the job done where other pumps fall short. Multiquip submersibles are powered by electric motors and can be left running for hours.