

WACKER

Power Equipment

Walk-Behind Trowels

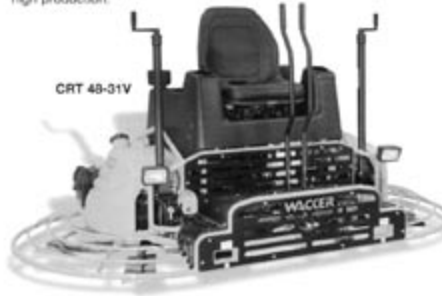
- 36-Inch Models:**
 CT 36ADP, CT 36ADP-E
 CT 36AGP, CT 36AGP-E
 CT 36AGT, CT 36AGT-E
 CT 36AVP, CT 36AVT
- 48-Inch Models:**
 CT 48ADP, CT 48ADP-E
 CT 48AGP, CT 48AGP-E
 CT 48AGT, CT 48AGT-E
 CT 48AVP, CT 48AVT



CT 48AVT

Ride-on Trowels

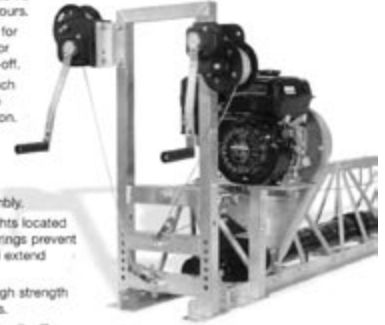
- Some models offer overlapping and non-overlapping operation on the same machine.
- Variable clutch provides proper torque and speed range to match concrete conditions.
- Correct power-to-weight ratio for better floating and high production.
- Ergonomically designed twin lever control.
- Gearbox drive system transfers maximum torque to rotors.
- Front and rear lighting system.
- Heavy-duty gearboxes offer dual shaft oil seals.



CRT 48-31V

Vibratory Truss Screed

- Bolted construction allows fast assembly without special tools.
- Wide span up to 75 feet for large pours.
- T-bolt adjuster for flat, crowned, or inverted strike-off.
- Ergonomic winch system for one person operation.
- Connector plate provides rigidity for even vibration and fast assembly.
- Eccentric weights located near shaft bearings prevent shaft whip and extend bearing life.
- Lightweight, high strength aluminum truss.
- Self-contained unit will run on any form, such as pipe, wood, block or metal.
- Accessories include recessing attachment, wall slider and outrigger.



Flex Shaft Vibrators

- Lightweight and rugged.
- Double insulated and grounded motor.
- Dual air filters.
- High frequency and amplitude of the vibrator head on the Head, Motor, Shaft (HMS) System.
- Motor airflow from rear to front prevents dust buildup.
- Standard quick disconnect coupling on motor facilitates shaft exchange.
- Quick release brush covers.
- Dust and waterproof on-off switch.
- Strain relieved electrical cord.
- Integrated quick disconnect couplings on shafts easily connect to all Wacker motors, offering 62 combinations.
- Oil resistant reinforced rubber shafts with steel reinforced coils on the quick disconnect end.
- Four head bearings lubricated with high temperature resistant synthetic oil.
- Hardened head housing and tip.
- Circuit breaking carbon brushes stop motor when replacement is required.
- Standard 60 Hz electrical power.



M 3000

Solid State Vibrators

- Lightweight, compact unit plugs directly into standard 115V outlet.
- Soft start eliminates amperage surge at start-up.
- Built-in motor protection for short circuits, ground fault, high temperature, voltage variations, and phase failures.
- Class H windings plus thermal protection switches.
- Induction hardened vibrator housing inside and outside for extended operating life.
- Three phase induction motor.
- Oil lubricated high performance roller bearings.
- Fast vibrator head replacement eliminates need for special tools.
- Sealed switch housing.



IRFUN 57

Breakers

- Lightweight electric breaker.
- Special vibration dampened protective hood and low recoil air cushioned percussion system.
- Direct impact on the tool creates high breaking performance without power robbing intermediate piston.
- Extra handle.
- Circuit breaker carbon brushes shut off current to motor when worn. Easy access to brushes.
- Quick change tool holder accepts the standard industry tool size of 1-1/8" hex x 6" shank. A selection of tools are available for all your applications.
- Powerful 115 volt 15 amp universal electric motor is double insulated.
- Standard 115 volt plug.
- Armature uses steel cable to give high resistance to impact and vibration for longer life.



EH 27

Portable Cut-off Saws

- "Long Life Lubrication" L3 piston with a special graphite surface coating to eliminate piston and cylinder overheating.
- Air cleaning system allows dust to be shaken off the preliminary filter through the machine's own vibration. Plus 54 percent larger filtering surface increases life.
- Increased cooling air supply.
- Starter rope has been treated with silicone, providing added protection against rope damages.
- The blade guard can be adjusted effortlessly and infinitely by hand.
- Highest power-to-weight ratio of their class.



BTS 1035L3

Submersible Pumps

- Single-phase submersible pumps.
- Lightweight, compact design.
- Built-in thermal protection.
- Heavy-duty power cord with strain relief.
- Insulation on all power cable conductors are protected by a water block system.
- Silicon carbide faced double mechanical seals run in an isolated oil-filled cavity.
- Preliminary v-ring or lip seal (depending on model) shields the mechanical seal.
- Semi-vortex impeller (except for PS2 75Q).
- Semi-open ductile iron impeller with replaceable/adjustable, stainless steel wearplate (PS2 750 only).



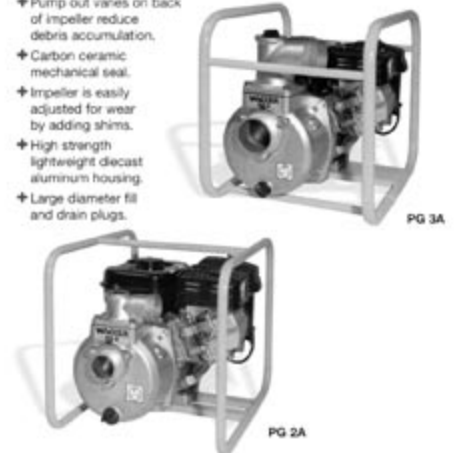
PS2 400

PS2 500

PSA2 500

Dewatering Pumps

- Compact size.
- Cast iron internal wear parts, including the impeller and volute.
- Pump out vanes on back of impeller reduce debris accumulation.
- Carbon ceramic mechanical seal.
- Impeller is easily adjusted for wear by adding shims.
- High strength lightweight diecast aluminum housing.
- Large diameter fill and drain plugs.
- Heavy-duty protective frame.
- Reliable engines equipped with low oil shutdowns.



PG 3A

PG 2A

Power Mixers & Trowels



Steel Drum Mixers

The ultimate in heavy duty concrete mixers. Available in 4-, 6-, and 9-cu. ft. capacities, with your choice of power and drum materials.

Features and Benefits

- Wide variety of power sources
- Leaf springs standard on 6- and 9-cu. ft. mixers
- Oversized dump wheel—easier to discharge material
- 13" tires for safe towing
- Steel mixers available with 4-, 6- or 9-cu. ft. drums

Poly-Drum Models

Features and Benefits

- Wide variety of power sources
- Leaf springs standard on 6- and 9-cu. ft. mixers
- Oversized dump wheel for easier material discharge
- 13" tires for safe towing
- Polyethylene mixers available with 6- or 9-cu. ft. drums
- Poly drums simplify cleanup while resisting rust and dents



Standard Walk-Behind Power Trowels

Features and Benefits

- 24", 30", 36", 46" wide models
- Reliable gasoline engines and electric motors
- Optional Quick-Pitch Control (TM) for fast, precise blade adjustment

- All units are equipped with heavy-duty centrifugal clutch
- Precision-balanced for the ultimate finish
- 3-blade spiders available
- Adjustable handle on most models

Model: B-4-8

Trowel is offered with 8-HP Briggs & Stratton, Robin and Honda engines.

Performance Data:

Number of Blades: 4

Ring Diameter - IN (CM): 46 (117)

Clutch Type: Centrifugal

Pitch Control: Standard

Rotor RPM: 60-125

Power Source:

Engine Model: 8 HP Briggs & Stratton, Robin, Honda

Electric Motor: N/A



Model: B-4-2E

Performance Data:

Number of Blades: 4

Ring Diameter - IN (CM): 46 (117)

Clutch Type: Centrifugal

Pitch Control: Standard

Rotor RPM: 108

Power Source:

Engine Model: N/A

Electric Motor: 2HP 115/230V 1Ph

Model: J-4-5H

Performance Data:

Number of Blades: 4

Ring Diameter - IN (CM): 36 (90)

Clutch Type: Centrifugal

Pitch Control: Standard

Rotor RPM: 60-125

Power Source:

Engine Model: 5.5 HP Honda

Electric Motor: N/A

