

WACKER

Power Equipment

Walk-Behind Trowels

36-Inch Models:
 CT 36ADP, CT 36ADP-E
 CT 36AGP, CT 36AGP-E
 CT 36AGT, CT 36AGT-E
 CT 36AVP, CT 36AVT

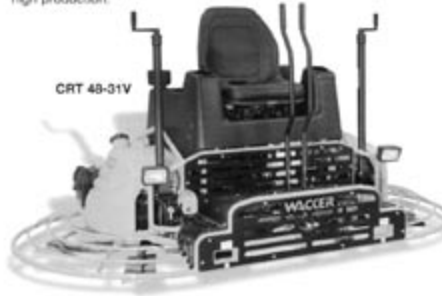
48-Inch Models:
 CT 48ADP, CT 48ADP-E
 CT 48AGP, CT 48AGP-E
 CT 48AGT, CT 48AGT-E
 CT 48AVP, CT 48AVT



CT 48AVT

Ride-on Trowels

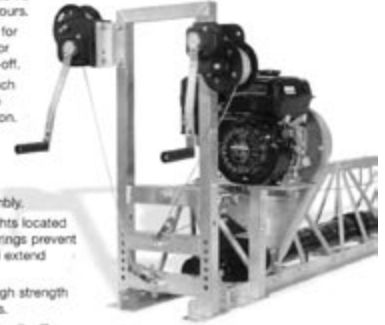
- Some models offer overlapping and non-overlapping operation on the same machine.
- Variable clutch provides proper torque and speed range to match concrete conditions.
- Correct power-to-weight ratio for better floating and high production.
- Ergonomically designed twin lever control.
- Gearbox drive system transfers maximum torque to rotors.
- Front and rear lighting system.
- Heavy-duty gearboxes offer dual shaft oil seals.



CRT 48-31V

Vibratory Truss Screenshot

- Bolted construction allows fast assembly without special tools.
- Wide span up to 75 feet for large pours.
- T-bolt adjuster for flat, crowned, or inverted strike-off.
- Ergonomic winch system for one person operation.
- Connector plate provides rigidity for even vibration and fast assembly.
- Eccentric weights located near shaft bearings prevent shaft whip and extend bearing life.
- Lightweight, high strength aluminum truss.
- Self-contained unit will run on any form, such as pipe, wood, block or metal.
- Accessories include recessing attachment, wall slider and outrigger.



Flex Shaft Vibrators

- Lightweight and rugged.
- Double insulated and grounded motor.
- Dual air filters.
- High frequency and amplitude of the vibrator head on the Head, Motor, Shaft (HMS) System.
- Motor airflow from rear to front prevents dust buildup.
- Standard quick disconnect coupling on motor facilitates shaft exchange.
- Quick release brush covers.
- Dust and waterproof on-off switch.
- Strain relieved electrical cord.
- Integrated quick disconnect couplings on shafts easily connect to all Wacker motors, offering 62 combinations.
- Oil resistant reinforced rubber shafts with steel reinforced coils on the quick disconnect end.
- Four head bearings lubricated with high temperature resistant synthetic oil.
- Hardened head housing and tip.
- Circuit breaking carbon brushes stop motor when replacement is required.
- Standard 60 Hz electrical power.



M 3000

Solid State Vibrators

- Lightweight, compact unit plugs directly into standard 115V outlet.
- Soft start eliminates amperage surge at start-up.
- Built-in motor protection for short circuits, ground fault, high temperature, voltage variations, and phase failures.
- Class H windings plus thermal protection switches.
- Induction hardened vibrator housing inside and outside for extended operating life.
- Three phase induction motor.
- Oil lubricated high performance roller bearings.
- Fast vibrator head replacement eliminates need for special tools.
- Sealed switch housing.



IRFUN 57

Breakers

- Lightweight electric breaker.
- Special vibration dampened protective hood and low recoil air cushioned percussion system.
- Direct impact on the tool creates high breaking performance without power robbing intermediate piston.
- Extra handle.
- Circuit breaker carbon brushes shut off current to motor when worn. Easy access to brushes.
- Quick change tool holder accepts the standard industry tool size of 1-1/8" hex x 6" shank. A selection of tools are available for all your applications.
- Powerful 115 volt 15 amp universal electric motor is double insulated.
- Standard 115 volt plug.
- Armature uses steel cable to give high resistance to impact and vibration for longer life.



EH 27

Portable Cut-off Saws

- "Long Life Lubrication" L3 piston with a special graphite surface coating to eliminate piston and cylinder overheating.
- Air cleaning system allows dust to be shaken off the preliminary filter through the machine's own vibration. Plus 54 percent larger filtering surface increases life.
- Increased cooling air supply.
- Starter rope has been treated with silicone, providing added protection against rope damages.
- The blade guard can be adjusted effortlessly and infinitely by hand.
- Highest power-to-weight ratio of their class.



BTS 1035L3

Submersible Pumps

- Single-phase submersible pumps.
- Lightweight, compact design.
- Built-in thermal protection.
- Heavy-duty power cord with strain relief.
- Insulation on all power cable conductors are protected by a water block system.
- Silicon carbide faced double mechanical seals run in an isolated oil-filled cavity.
- Preliminary v-ring or lip seal (depending on model) shields the mechanical seal.
- Semi-vortex impeller (except for PS2 750).
- Semi-open ductile iron impeller with replaceable/adjustable, stainless steel wearplate (PS2 750 only).



PS2 400

PS2 500

PSA2 500

Dewatering Pumps

- Compact size.
- Cast iron internal wear parts, including the impeller and volute.
- Pump out vanes on back of impeller reduce debris accumulation.
- Carbon ceramic mechanical seal.
- Impeller is easily adjusted for wear by adding shims.
- High strength lightweight diecast aluminum housing.
- Large diameter fill and drain plugs.
- Heavy-duty protective frame.
- Reliable engines equipped with low oil shutdowns.



PG 3A

PG 2A

Power Sprayers & Screeds



TEREX



Power Sprayer

For spraying all types of curing compounds on bridge decks, highways, floor slabs, drainage channels, etc. after finish work is completed. Easily handles form oils, pigmented curing compounds, bond breakers, soaps and detergents, pest control liquids, most liquid-type material

FEATURES & BENEFITS

- S 201 sprays materials with a variable pressure between 40 and 120 psi while constantly agitating material.
- Designed to be used from a truck, dock, work platform, dolly or skid.
- Exclusive wear adjustment feature increases pump life as much as 200%.
- Powered by dependable Briggs & Stratton or Honda engines.
- Comes with 25' of 3/8" hose and adjustable spray nozzle that can be disassembled for easy cleaning. Barrel is not included.



Hand Power Screed

TEREX Morrison screeds employ a unique, patented principle that distributes high frequency vibrations evenly across the entire length of the screed. This enables the concrete finisher to produce smooth, uniform surfaces quickly and easily, even with low slump concrete.

TEREX Morrison has the only self-contained screeds that will pour low slump concrete 3" and below... and with 12,000 vibrations per minute they'll perform 25% faster than competitive screeds on either high or low slump concrete.

All TEREX Morrison screeds are powered by highly efficient Honda gasoline engines, burning less than one gallon (3.785 liters) in an 8-hour day. High frequency vibrations are distributed through a rotating shaft that oscillates inside practically indestructible bearing housings. It is this uniform distribution of vibrations that is so important when working with low slump concrete.

TEREX Morrison screeds can be used with any forms—metal, wood, screed pipe, concrete block. And they'll do checker-boarding from adjacent concrete surfaces.

TEREX Morrison screeds require no air lines or compressors, and their lightweight aluminum/magnesium frames provide exceptional strength and durability.

Screed Specifications

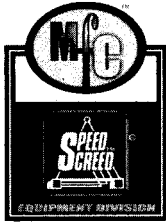
Screed Type	Height	Width	Weight (lbs./ft.)	Engine*	Best Application
Standard	13-1/2"	12-1/8"	10' Base 79 lbs. 2-1/2' section 23 lbs. 5' section 45 lbs. 10' section 78 lbs. Motor with mount 53 lbs.	5 hp Honda	Intended for spans up to 45'
Super	19-1/2"	14-5/8"	10' Base 94 lbs. 2-1/2' section 23 lbs. 5' section 46 lbs. 10' section 91 lbs. Motor with mount 70 lbs.	8 hp Honda	Intended for spans up to 70'

*Air motors and other power sources available.

Note: Specifications are subject to change without notice. All shipping weights are approximate. Morrison products are covered by one or more of the following U.S. patents pending: 4461341, 4555200, 4645264.



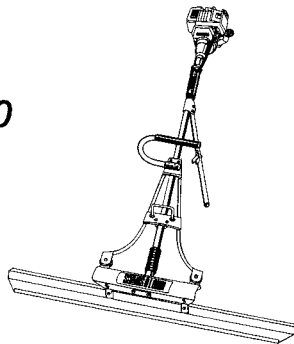
Power Screeds



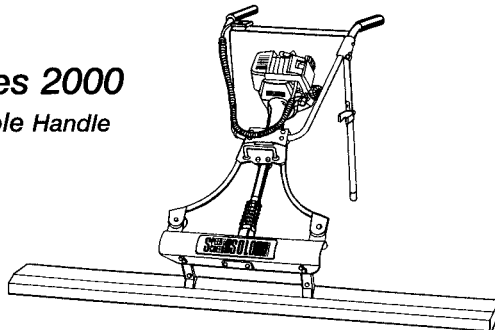
CONCRETE FINISHING MACHINES

One Man Screeds/Truss Screeds

Series 1000
Single Handle



Series 2000
Double Handle



SPEED SOLO

WEIGHT

Power Frame with engine: 30 lbs.
Aluminum strike off / float pan: 1 lb. per ft.
"Dual Dog" strike off: 2 lb. per ft.

POWER

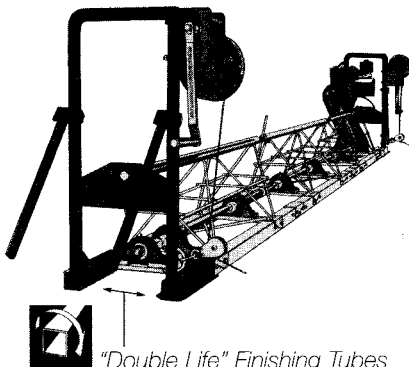
Standard Honda 4 cycle OVH, 31cc
Optional Variable speed electric motor

VIBRATION

Adjustable solid steel eccentric weight

ATTACHMENTS

Aluminum strike off tube
2"X2" in variable lengths up to 12 ft.
Aluminum float pan
8 ft., 10 ft. or 12 ft. wide
"Dual Dog" strike-off
6 ft., 8 ft., 10ft., 12 ft. or 16 ft. wide*
(*16 ft. wide requires 2 power units)



"Double Life" Finishing Tubes
Aluminum tubes are easily reversed when the original wearing surface needs replacing.

SPECS	SEE HEAVY-DUTY	SEE LIGHT	SEE ULTRA-LIGHT
WEIGHT	20 lbs. per lineal ft.	11 lbs. per lineal ft.	8 lbs. per lineal ft.
POWER	8 h.p. or 11h.p. gas engine	5 h.p. or 8 h.p. gas engine	5 h.p. gas engine
WIDTH	Power sections 5½' or 10½' Extension sections: 2½', 5', or 10'		
FORWARD TRAVEL	Hydraulic power winches or hand winches		
WINCHES	Heavy-duty type with 75' of aircraft cable		
BEARINGS	Pillow Block, self-aligning grease type		