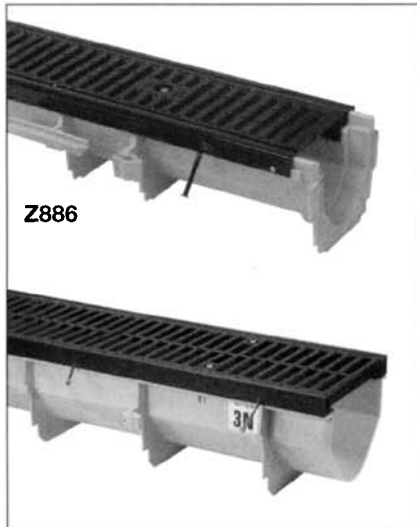
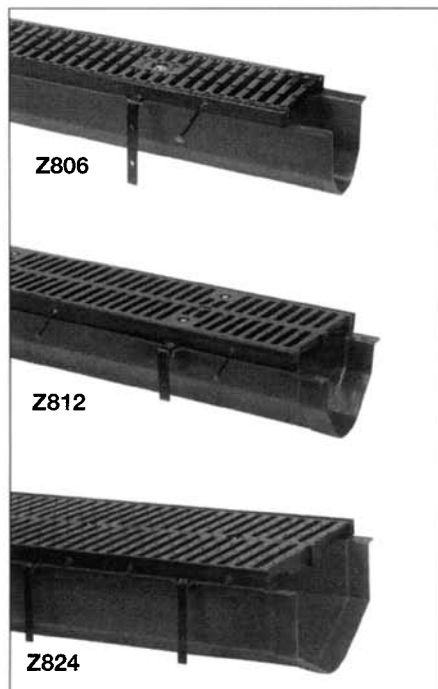


ZURN FLO-THRU TRENCH DRAIN SYSTEMS



Z886

Perma-Trench – 6" and 12" wide pre-sloped polyethylene structural composite systems; catch basins, shallow non-sloped and radiused channel systems.

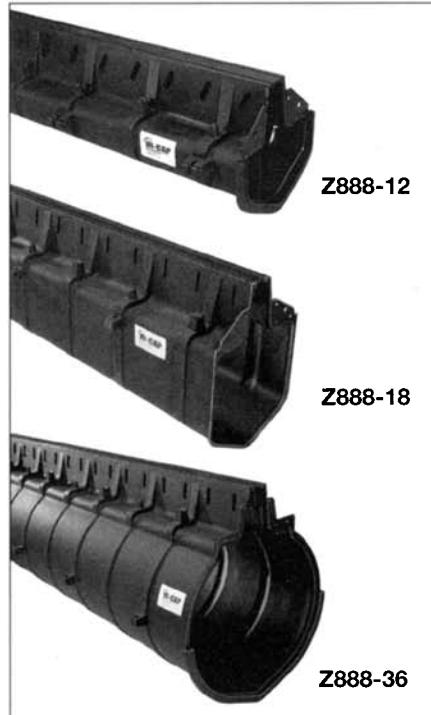


Z806

Z812

Z824

Flo-Thru – 6", 12" and 24" wide pre-sloped fiberglass systems and catch basins.



Z888-12

Z888-18

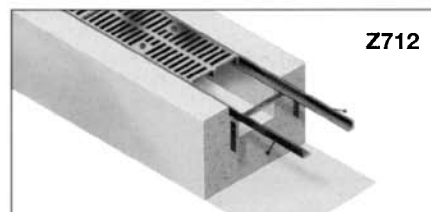
Z888-36

Hi-Cap – Slotted linear low density polyethylene drainage consisting of three different sizes.



Z890

Sani-Flo – 6", 12" slotted stainless steel drainage systems, catch basins, plus custom trenches.



Z712

Frames & Grates – 6", 8", 10", 12", 14", 18", and 24" availability for cast-in-place installations.

FEATURES AND ADVANTAGES

- Durable and lightweight systems.
- Loading capabilities for airports, forklifts, and ADA/pedestrian needs.
- Pre-engineered modular channels.
- Breadth of products to meet needs.
- Variety of gratings.
- Zurn engineering assistance and CAD layouts available at no additional charge.

2