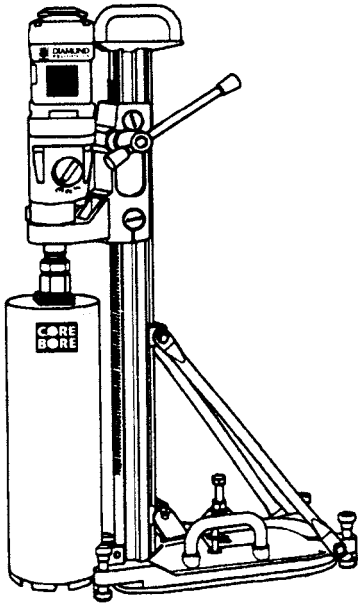
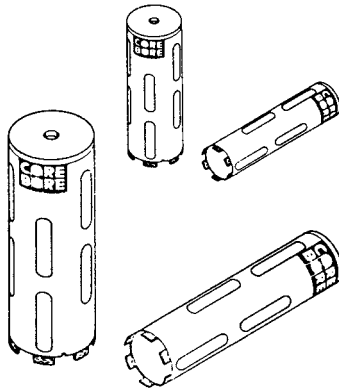




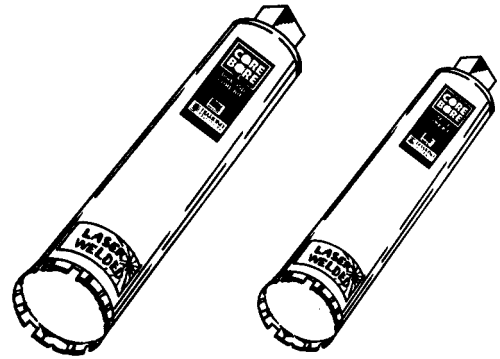
DRILLING MACHINES



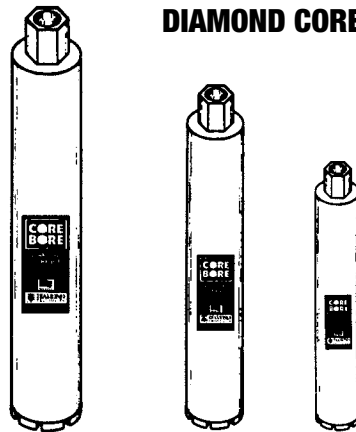
DRY DIAMOND HOLE SAWS



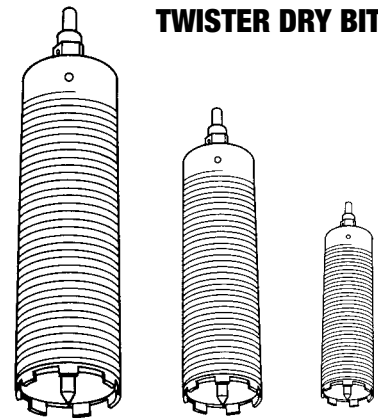
TURBO LASER DIAMOND BIT



DIAMOND CORE BITS



TWISTER DRY BITS



SpeediCut Cut-Off Saws

Aircraft alloy and high strength composite components make the SpeediCut the lightest cut-off saw in its class



Cutting arm can be easily and quickly reversed for edge sawing close to walls, pavement and obstructions

SpeediCut Specifications

Diamond Products Model No.	SC7312	SC7314
Diamond Products Part No.	5800468	5800469
Engine Displacement	4.5	4.5
Max. Horsepower	6	6
Max. torque	6.75 ft./lbs.	6.75 ft./lbs.
Carburetor	Compensating fixed jet	Compensating fixed jet
Ignition System	Electronic speed controlled	Electronic speed controlled
Starter System	Recoil Starter	Recoil Starter
Clutch	Auto Centrifugal	Auto Centrifugal
Fuel Mixture (fuel/two-stroke oil)	50:1	50:1
Fuel Tank Capacity	43 oz.	43 oz.
Fuel consumption at max. load	.55 g/h	.55 g/h
Blade Capacity	12"	14"
Arbor diameter	20mm	20mm
Maximum Cutting Depth	3-13/16"	4-13/16"
Max. Blade Shaft RPM*		4300 4300
Weight (tanks empty w/o blade)	21 lbs.	21 lbs.

* WARNING: Operating the blade faster than the manufacturer's maximum safe speed can damage the blade and possibly cause injury.