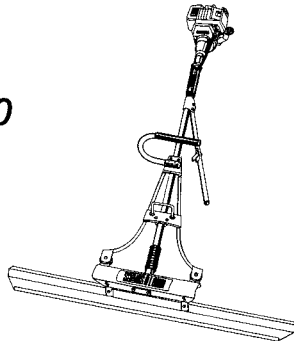


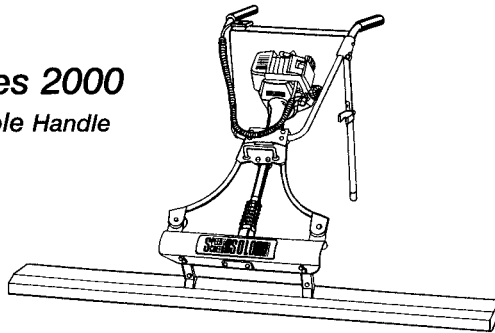
CONCRETE FINISHING MACHINES

One Man Screeds/Truss Screeds

Series 1000
Single Handle



Series 2000
Double Handle



SPEED SCREED™ SOLO™

WEIGHT

Power Frame with engine: 30 lbs.
Aluminum strike off / float pan: 1 lb. per ft.
"Dual Dog" strike off: 2 lb. per ft.

POWER

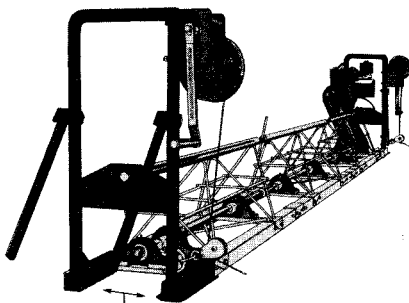
Standard Honda 4 cycle OVH, 31cc
Optional Variable speed electric motor

VIBRATION

Adjustable solid steel eccentric weight

ATTACHMENTS

Aluminum strike off tube
2"X2" in variable lengths up to 12 ft.
Aluminum float pan
8 ft., 10 ft. or 12 ft. wide
"Dual Dog" strike-off
6 ft., 8 ft., 10ft., 12 ft. or 16 ft. wide*
(*16 ft. wide requires 2 power units)



"Double Life" Finishing Tubes
Aluminum tubes are easily reversed when the original wearing surface needs replacing.

SPECS	SEE HEAVY-DUTY	SEE MIGHT	SEE ULTRA-LIGHT
WEIGHT	20 lbs. per lineal ft.	11 lbs. per lineal ft.	8 lbs. per lineal ft.
POWER	8 h.p. or 11h.p. gas engine	5 h.p. or 8 h.p. gas engine	5 h.p. gas engine
WIDTH	Power sections 5½' or 10½' Extension sections: 2½', 5', or 10'		
FORWARD TRAVEL	Hydraulic power winches or hand winches		
WINCHES	Heavy-duty type with 75' of aircraft cable		
BEARINGS	Pillow Block, self-aligning grease type		